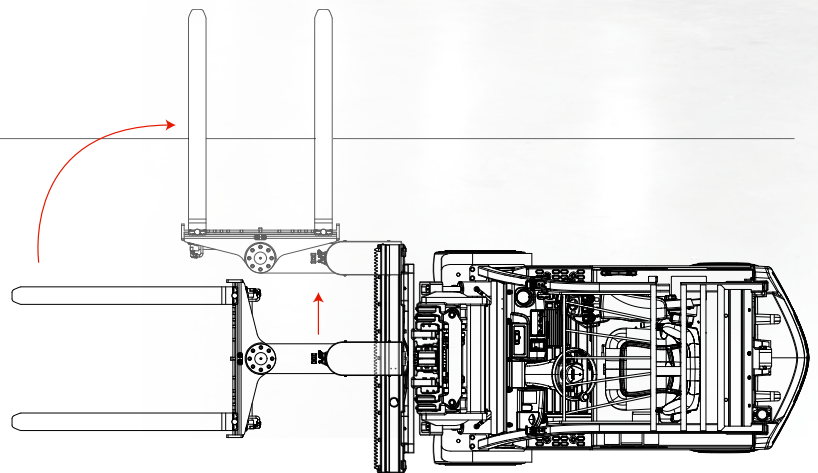


TURRET MAST ATTACHMENT

With no signs of slowing down, warehousing, distribution and fulfillment centers are moving more product faster than ever. Finding efficient and cost-effective ways to handle the increasing number of products is vital to staying competitive.

Outfitting your Raymond Counterbalanced Forklift with the Turret Mast Attachment turns your already flexible workhorse of a truck into an even more versatile piece of equipment. Customizable for dock to stock or dedicated aisle usage, this unique pivoting attachment enables access to left and right storage bays without the need to turn your forklift.

- + Enables narrow aisle operation
- + Increases facility capacity
- + Enhances productivity
- + Configurable to the application
- + Improves storage flexibility



SPECIFICATIONS

Elevated Heights*	188"	238"
Overall Collapsed Height	95.6"	117.2"
Load Capacity	2,050 lbs.	1,400 lbs.
Min. Aisle Width	67"	75"

*Inquire for additional heights.

OPTIONS TO BOOST OPERATOR CONFIDENCE & MAXIMIZE PERFORMANCE

Sensor Forks – Equipped with numerous features to assist in pallet acquisition through the use of an adjustable horizontal reference line, low-light camera assist, and fork tilt indicator features which enhance visibility and sensors useable as a guide to place the fork beneath the load for more precise handling.

Weigh Forks – Designed to save you time and money, you can quickly weigh incoming goods to catch product shortfalls, weigh outgoing materials to prevent overloading trailers, and reduce time spent cycle counting by enabling piece counting by weight.